

HIGH FREQUENCY MAGNETICS

T1/E1 Surface Mount Shielded Transformers

TM00140

- Operate at the T1 rate of 1.544 Mb/s and the E1 rate of 2.048 Mb/s
- Interwinding Electrostatic Shield provides low capacitance and high EMI suppression
- Minimum Interwinding Breakdown Voltage of 1500 Vrms
- Operating temperature range: -40° C to +85° C
- Meets IEC 695, 2-2 flammability requirements
- PWB Process Capability: standard printed wiring board assembly techniques, total-immersion cleaning
- Reliability testing: Shock, vibration, temperature cycling, temperature - humidity - bias

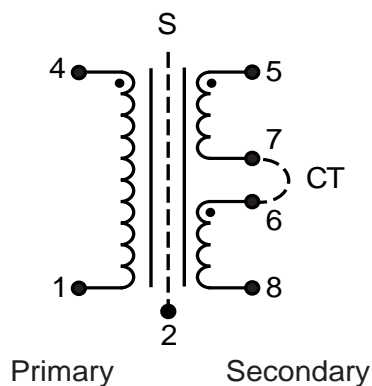
ELECTRICAL SPECIFICATIONS at 25° C

Part Number	Turns Ratio ± 2%	Primary Inductance* mH min	Leakage Inductance μH max	DCR Ω max		Interwinding Capacitance ¹ pF max	Non-Shielded Version
	Pri : Sec			Pri	Sec		
2771D	1 : 1.14CT	1.3	1.5	0.53	0.62	5	2795B
2771E	1 : 2CT	3.15	3.2	1.0	3.4	5	2795H

* Measured at 10 kHz, 0.1 Vac
1. With shielded ground

SCHEMATICS

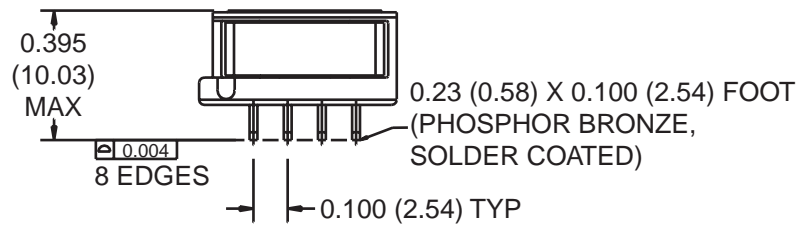
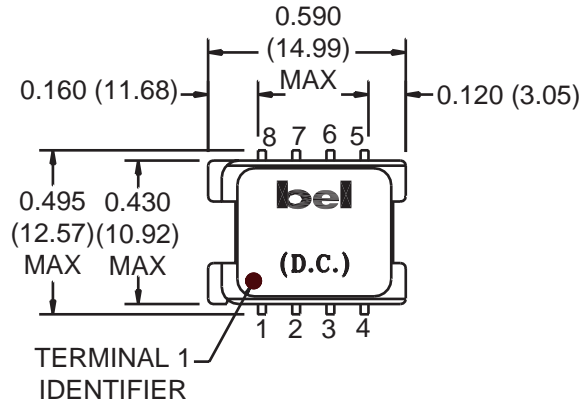
2771D
2771E



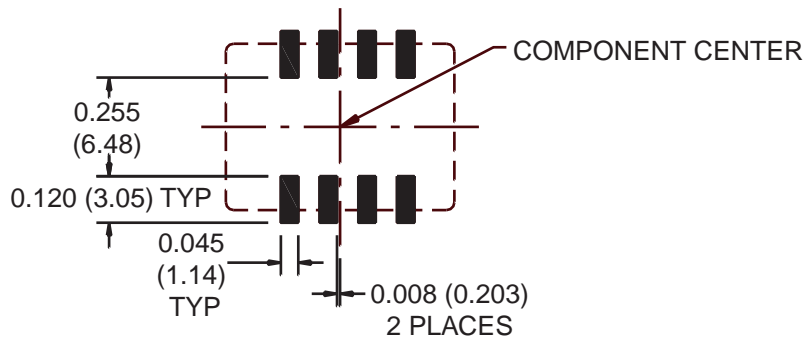
HIGH FREQUENCY MAGNETICS T1/E1 Surface Mount Shielded Transformers

MECHANICAL

2771D
2771E



RECOMMENDED PCB PATTERN



Unless otherwise specified, dimensions are nominal and in inches (millimeters).

CORPORATE

Bel Fuse Inc.
198 Van Vorst Street
Jersey City, NJ 07302
Tel 201-432-0463
Fax 201-432-9542
www.belfuse.com

FAR EAST

Bel Fuse Ltd.
8F / 8 Luk Hop Street
San Po Kong
Kowloon, Hong Kong
Tel 852-2328-5515
Fax 852-2352-3706
www.belfuse.com

EUROPE

Bel Fuse Europe Ltd.
Preston Technology Management Centre
Marsh Lane, Suite G7, Preston
Lancashire, PR1 8UD, U.K.
Tel 44-1772-556601
Fax 44-1772-888366
www.belfuse.com